



Ford Oil Pump Pickup

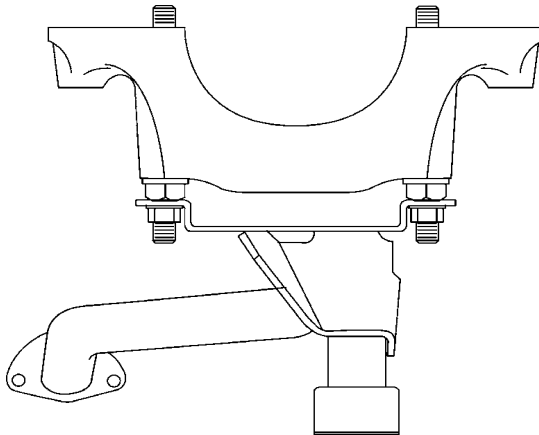
Refer to a service manual for complete pickup removal/installation procedures.

Make sure pickup is cleaned thoroughly before installing.

Mount pickup to oil pump and main cap, (see diagram below). If the main cap stud is not long enough to hold the pickup bracket, an aftermarket stud such as one made by ARP is going to be needed. Tighten the attaching nuts for the pickup bracket and measure the distance between the pickup screen and the bottom of the oil pan. A clearance of 1/4" to 3/8" is recommended.

To check pickup height, put clay or putty on the four corners of the pickup screen. Place oil pan onto engine and secure tightly. Remove oil pan and measure the height of the crushed clay or putty. If necessary, make any adjustments.

NOTE: THIS PICKUP IS INTENDED FOR USE ON ENGINES WITH 4 BOLT MAIN BEARINGS ONLY.



***For Technical Assistance, Call Moroso's Tech Line at
(203) 458-0542, 458-0546 8:30am – 5:00pm Eastern Time***

MOROSO PERFORMANCE PRODUCTS, INC
80 CARTER DR • GUILFORD, CT 06437
Phone: (203) 453-6571 • Fax: (203) 453-6906