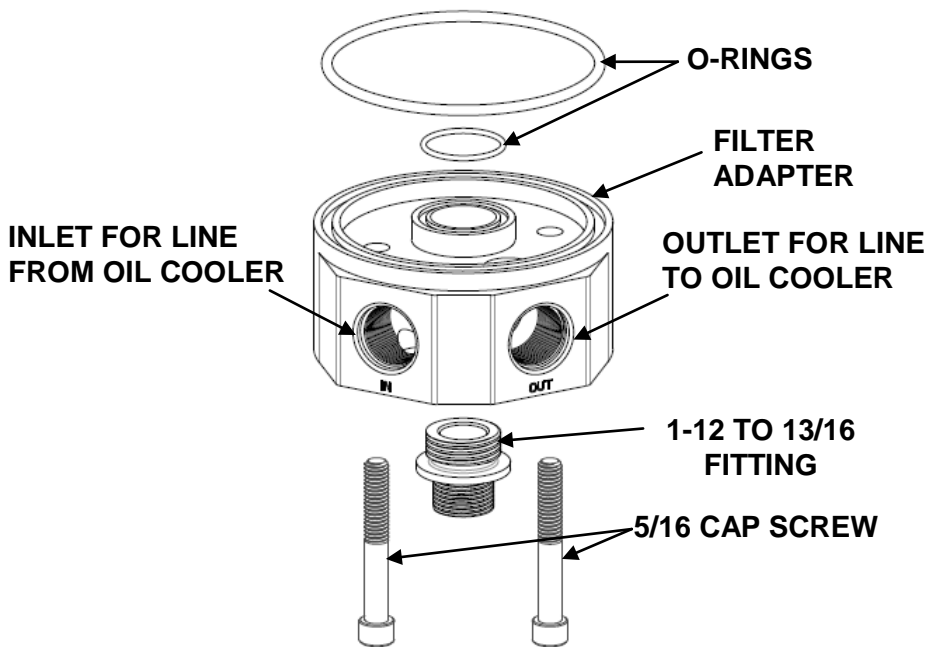




OIL FILTER ADAPTER, OIL COOLER BBC MARK V GEN VI P/N 23705

Remove the factory oil filter adapter from engine. Assemble the components as shown in the illustration below. Make certain to use #10AN fittings and O-rings to plumb your oil cooler. This adapter has no bypass valve for the oil filter.



**For Technical Assistance, Call Moroso's Tech Line at
(203) 458-0542, 458-0546 8:30am – 5:00pm Eastern Time**

MOROSO PERFORMANCE PRODUCTS, INC
80 CARTER DR • GUILFORD, CT 06437
Phone: (203) 453-6571 • Fax: (203) 453-6906