

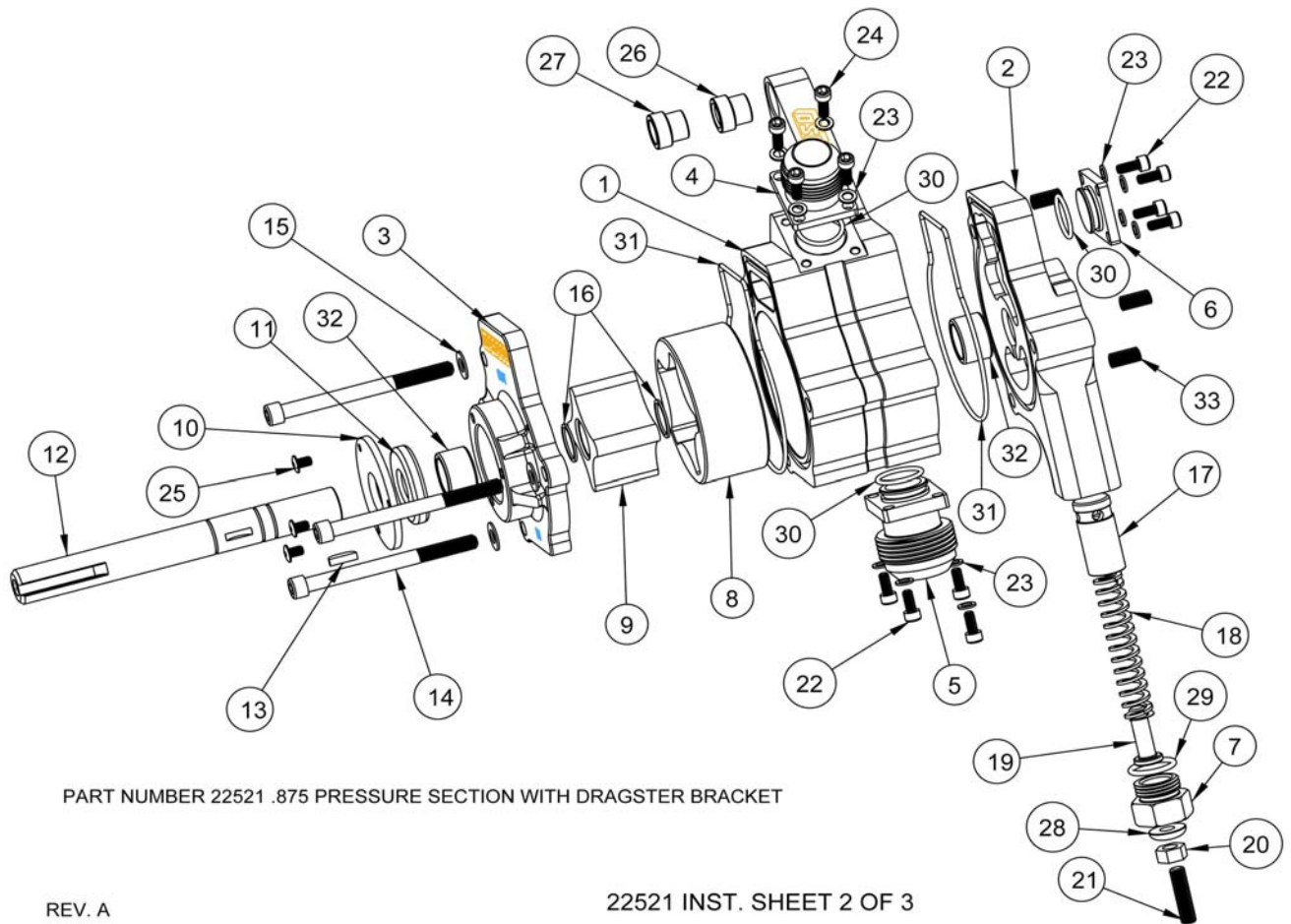


**DRY SUMP OIL PUMP PART 22521**  
**SNGL STAGE .875 PRESS.SECTION & DRAGSTER BRKT**  
**Parts List**

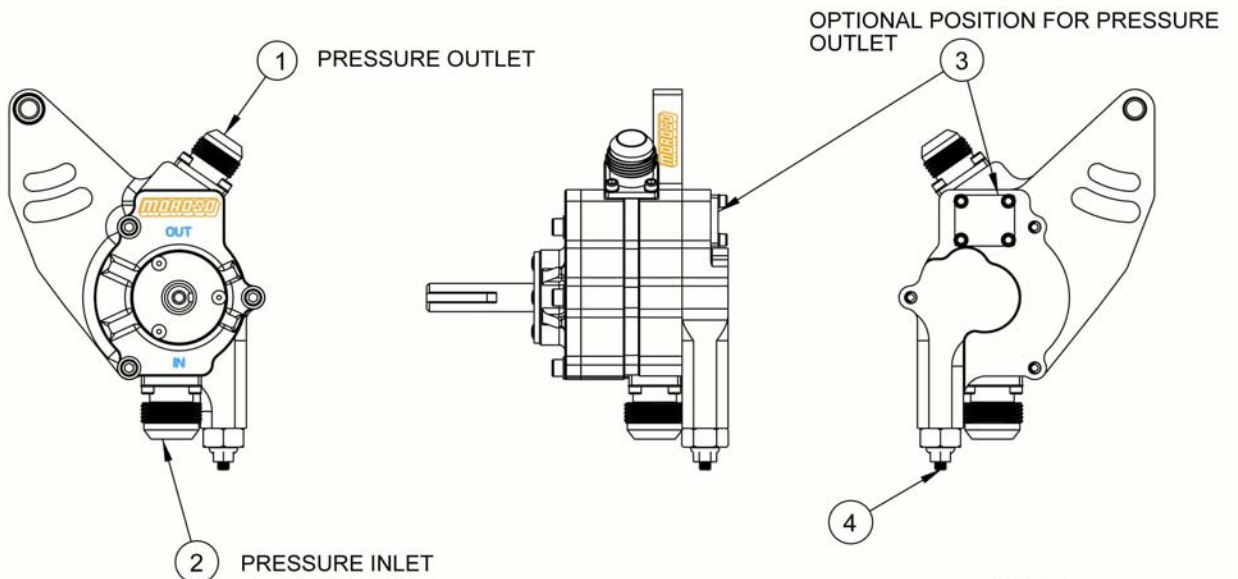
P/N	DESCRIPTION	QTY
1 22520155	PRESSURE SECTION W/DRAGSTER BRACKET .875"	1
2 22520120	PRESSURE BY-PASS SECTION	1
3 22520500	FRONT SECTION	1
4 22742	-12AN MALE FITTING / <b>OPTIONAL P/N 22741 -10AN MALE</b>	1
5 22744	-16AN MALE FITTING / <b>OPTIONAL P/N 22742 -12AN MALE</b>	1
6 22520135	12 PORT PLUG	1
7 22167050	BY-PASSPLUG FITTING	1
8 22500235	.875" SCROLL	1
9 22520175	.875" ROTOR	1
10 22520395	FRONT SEAL CAP	1
11 22500440	LIP SEAL	1
12 22520160	SHAFT	1
13 22500340	WOODRUFF KEY	1
14 22520190	1/4-28 X 3" SHCS	3
15 0804019	.26 X.5 CONICAL WASHER	3
16 22520161	SPIRAL RETAINING RING	2
17 22167070	BY-PASS VALVE	1
18 22167035	BY-PASS SPRING	1
19 22167060	BY-PASS SPRING RETAINER	1
20 0704002	1/4-28 LOCK NUT	1
21 22167039	1/4-28 X 1" PRESSURE ADJUSTER	1
22 0501041	8-32 X .5" RETAINING SCREW	8
23 0801002	.181 X .303 WASHER	12
24 0501031	8-32 X .375" RETAINING SCREW	4
25 0592001	8-32 X .250 BUTTON HEAD RETAINING SCREW	3
26 22500320	.375 I.D. MOUNTING BUSHING	1
27 22500330	.437 I.D. MOUNTING BUSHING	1
28 63493004	SEALING WASHER	1
29 22167016	.644 I.D. X .080 THK. O-RING	1
30 22520050	.676 I.D. X .070 THK. O-RING	3
31 22520060	3.489 I.D. X .070 THK. O-RING	2
32 22500240	BEARING	2
33 22500370	1/4-28 X .500" HELI-COIL	3

**For Technical Assistance, Call Moroso's Tech Line at  
(203) 458-0542, 458-0546 8:30am – 5:00pm Eastern Time**

MOROSO PERFORMANCE PRODUCTS, INC  
80 CARTER DR • GUILFORD, CT 06437-2116  
Phone: (203) 453-6571 • Fax: (203) 453-6906



- 1 #12 PRESSURE OUTLET / REPLACEMENT PRT # 22742 / OPTIONAL #10 AN PRT # 22741
- 2 #16 AN PRESSURE INLET / REPLACEMENT PRT # 22744 / OPTIONAL # 12 AN PRT # 22742
- 3 OPTIONAL POSITION FOR PRESSURE OUTLET (1)
- 4 PRESSURE ADJUSTER



22521  
22421  
22251  
22241 INST.  
SHEET 3 OF 3