



INSTALLATION INSTRUCTIONS
P/N: C5076
STEERING COLUMN MOUNTING KIT

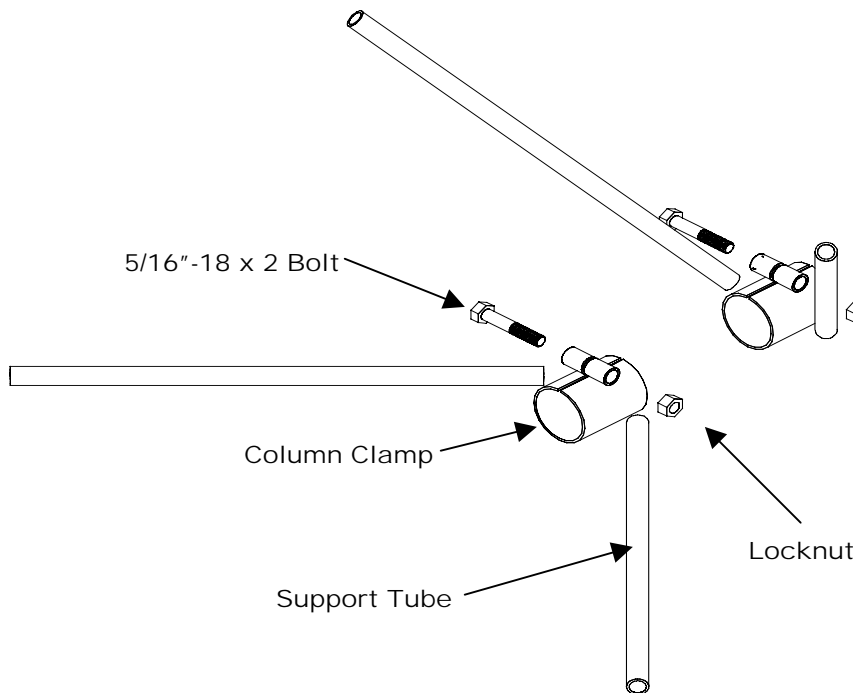
This mounting kit is designed to work in conjunction with the Competition Engineering P/N: C5074 Steering Column Kit. It will allow the steering column to be mounting rigidly to the chassis while keeping weight to a minimum. This kit can be adapted to other steering column kits that use a 1-5/8" diameter column tube.

PARTS LIST

- | | |
|---------------------|-----------------------|
| 2) Column Clamps | 2) Support Tube |
| 2) 5/16"-18 Locknut | 2) 5/16"-18 x 2" Bolt |

INSTALLATION

1. Assemble the steering column kit following the instructions included with the kit.
2. Slide the two column clamps over the aluminum column tube.
3. Determine the mounting location for the support tubes. We recommend mounting the bottom clamp to the firewall bar and the top clamp to either the driver's side hoop downstrut or the dash bar.
4. We have supplied you with two 24" long support tubes. Cut these tubes as necessary so that you end up with four tubes. (See Diagram)
5. Position the support tubes in place and tack weld them to the clamps and the chassis.
6. Remove the steering column assembly and weld the support tubes complete.
7. Re-install the steering column and tighten the clamps using the supplied 5/16"-18 x 2" bolt and locknut.



*For Technical Assistance, call Competition Engineering's Tech Line at
(203) 458-0542, 203-458-0546 8:30am-5:00pm Eastern Time*

COMPETITION ENGINEERING
80 Carter Drive • Gullford, CT 06437
Phone: (203) 453-5200 • Fax: (203) 453-6906

Visit Us At www.competitionengineering.com