



INSTALLATION INSTRUCTIONS

ENGINE LIMITER KIT

C4034

Competition Engineering has designed this Engine Limiter Kit to prevent the forward and rearward of the engine/transmission assembly during launch and braking conditions. Without this kit, the movement of the engine within the chassis would cause the front and rear motor plates to flex and eventually crack. This limiter should be mounted diagonally between the engine block and the frame rail. We highly recommend the use of two engine limiter kits for high horsepower racecars, positioned on either side of the engine.

PARTS LIST

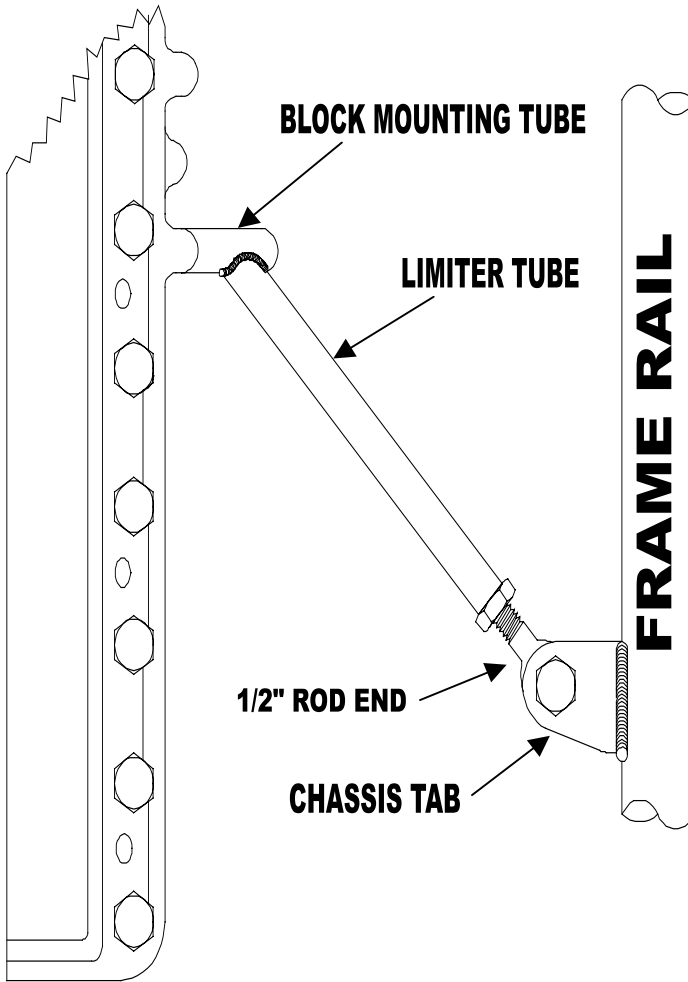
- | | |
|----------------------|-----------------------------------|
| 2) Chassis Tabs | 1) Block Mounting Tube |
| 1) Limiter Tube | 1) 1/2" High-Misalignment Rod End |
| 1) 1/2"-20 x 2" Bolt | 1) 1/2"-20 Jam Nut |
| 1) 1/2"-20 Lock Nut | |

INSTALLATION

1. Determine the mounting location for the limiter. It should attach to the side of the engine block, preferably using the factory motor mount bolt hole, and diagonally to the framerail. (See Diagram)
2. Attach the block mounting tube to the engine block using the proper size bolt for your application. The inside diameter of the tube is .438". You must enlarge it to accept bolts larger than 3/8".
3. Assemble the chassis tabs to each side of the supplied rod end. Use the 1/2"-20 bolt and locknut.
4. Thread the jam nut halfway onto the rod end and insert the rod end into the threaded end of the limiter tube.
5. Place the chassis tabs against the framerail and point the end of the limiter tube to the side of the block mounting tube. If there is no interference between the two mounting points, mark the limiter tube for trimming.
6. Cut the limiter tube to length and then re-install it in position. If the fit is good, tack weld the limiter tube to the block mounting tube and the chassis tabs to the framerail.
7. Un-bolt the assembly from the vehicle and finish the welds. Use the rod end to hold the chassis tabs square during welding.
8. Paint the tube if desired and re-install.
9. Tighten all mounting hardware.

*For Technical Assistance, Call Competition Engineering Tech Line at
(203) 458-0542, 458-0546 8:30am - 5:00pm Eastern Time*

*Competition Engineering
80 CARTER DR • GUILFORD, CT 06437
Phone: (203) 453-6571 • Fax: (203) 453-6906*



*For Technical Assistance, Call Competition Engineering Tech Line at
(203) 458-0542, 458-0546 8:30am - 5:00pm Eastern Time*

*Competition Engineering
80 CARTER DR • GUILFORD, CT 06437
Phone: (203) 453-6571 • Fax: (203) 453-6906*

Rev.C
111510

Visit Us At www.competitionengineering.com

P/NC4034