

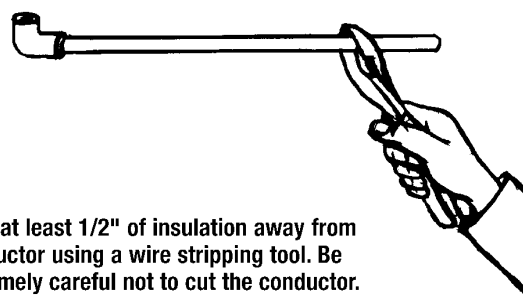
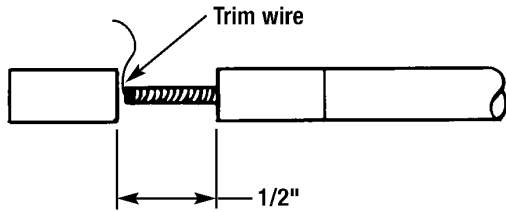
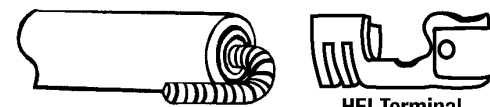
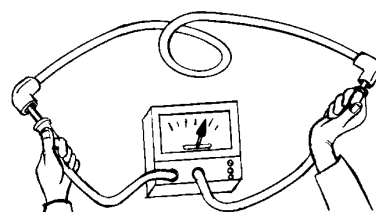


Installation Instructions

MOROSO UNIVERSAL ULTRA 40 RACE WIRE

In the lab, on the dyno, and at the racetrack, Moroso Ultra 40 Race Wire has proven to be the finest wire available for today's racing engines. Proper installation will ensure that you get all the performance your ignition system can deliver.

NOTE: To ensure that your engine's firing order remains in proper sequence, we recommend that you replace only one wire at a time.

<p>1</p>  <p>1. Strip at least 1/2" of insulation away from conductor using a wire stripping tool. Be extremely careful not to cut the conductor.</p>	<p>2</p>  <p>2. Remove the cut insulation and wire stripping tool. Trim any loose strands from the wound conductor. Side cutters are best for this.</p>
<p>3</p>  <p>HEI Terminal</p> <p>3. Fold the conductor back over the insulation, slip the terminal over the lead and crimp the terminal to the wire.</p> <p>Lubricate the end of the wire and terminal and push into the distributor boot. Check to make sure that the terminal is properly seated and aligned in the boot.</p>	<p>4</p>  <p>4. Check the wire's continuity with a test light or preferably an ohm meter. The meter should read approximately 40 ohms per foot of wire.</p>

NOTE! Proper care must be taken when stripping and installing terminals so that conductor integrity and continuity is maintained. If the conductor is broken or cut, the result will be an engine that misfires due to internal arcing (which also causes radio interference) or arcing directly to ground.

WIRE CARE: If cleaning is needed, wipe down with a silicone spray. DO NOT USE PARTS CLEANER OR OTHER SOLUTIONS CONTAINING PETROLEUM DISTILLATE'S!

**For Technical Assistance, call Moroso's Tech Line at
(203) 458-0542, 8:30am-5:00pm Eastern Time**

MOROSO PERFORMANCE PRODUCTS

80 Carter Drive • Guilford, CT 06437-2116
Phone: (203) 453-6571 • Fax: (203) 453-6906

Visit Us At www.moroso.com