



COIL MOUNTING KIT PART# 72396

Parts List

- | | |
|--|--|
| (1) Coil Mounting Bracket, Driver's Side. | (1) Coil Mount Base Plate, Driver's Side. |
| (1) Coil Mounting Bracket, Passenger's Side. | (1) Coil Mount Base Plate, Passenger's Side. |
| (16) Coil Spacers, .680 long. | (16) 1-1/2" Stainless Coil Mounting Screws. |
| (8) M6 X 20 MM Base Plate Cap Screws | (4) Hinge Assembly |
| (8) 6-32 X 5/16" Button Head Cap Screw | (8) 6-32 X 1/4" Flat Head Cap Screw |
| (4) 1-1/4" Button Head Screw, fully threaded | (4) Center Standoff, .425 long |
| (4) Nylock Nut | (4) 1/4" Stainless Washer |
| (1) 10-24 x .355 BH Screw | (1) 10-24 Loc Nut |
| (1) Harness Tab | |

NOTE: This mounting kit will not work with tall valve covers in a stock body Corvette, Camaro, Firebird.

INSTALLATION

- Disconnect plug wires and coil leads from coils and remove coils from OEM coil brackets.
- Remove OEM coil brackets from valve covers.
- Attach hinge components to the recessed areas on the base plates and coil mounts as shown on the illustrations. Use the 6-32 fasteners provided. The 6-32 X 5/16" Button Head Cap Screws go through the Plates and thread into the Hinge Bodies. The 6-32 X 1/4" Flat Head Cap Screws go through the Hinges and thread into the plates.
- Thread two 1/4-20 fully threaded Button Head Cap screws through the underside of each Base Plate so it projects upward on the installed plate.
- Fasten Harness Tab to passengers side coil mounting bracket using the 10-24 X .375 button head cap screws and 10-24 Loc Nut.
- Assemble the coils to the Coil Brackets as shown in the illustration. Use the 1/4-20 X 1-1/2" Socket Head Cap Screws and the .800" Spacers provided.
- Fasten the Base Plates to each valve cover using the 6MM Button Head Cap Screws provided. (Refer to the illustrations to determine the correct orientation).
- Place the .425 Center Standoffs over the studs in each Base Plate.
- While holding the assembled coil pack, engage the Hinges to the Base Plate. Set the coil pack over the center stud and fasten to the base using the 1/4" Lock Nuts and Washers.

Related Components

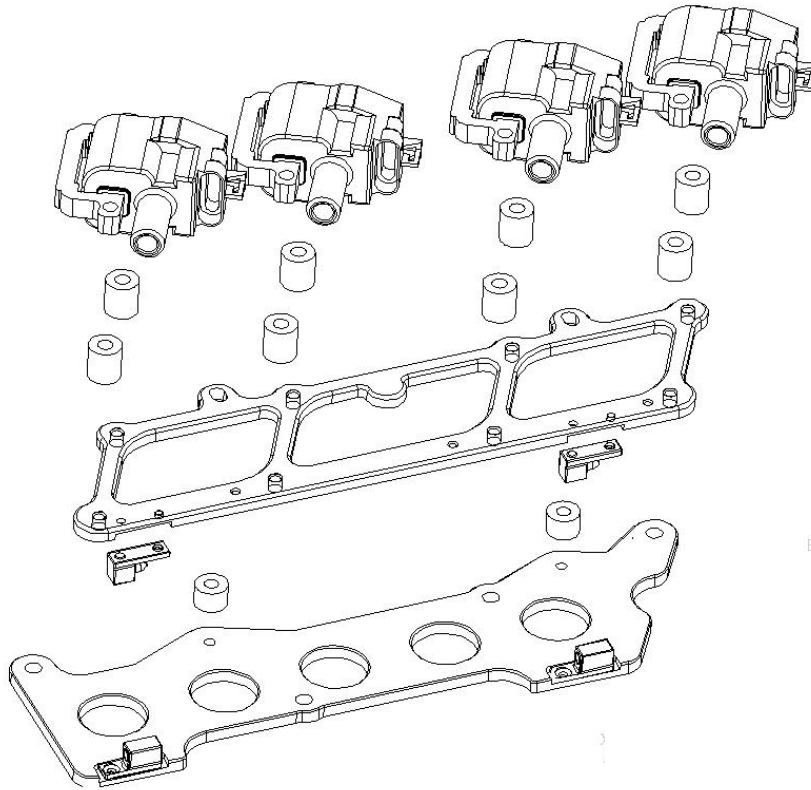
- Moroso 68355 – Fabricated valve covers
- Moroso 72391 – Coil harness kit (may be needed in some installations).
- Moroso Spark plug wire set . (See Application Chart in catalog)

For Technical Assistance, Call Moroso's Tech Line at

(203) 458-0542, 458-0546 8:30am – 5:00pm Eastern Time

MOROSO PERFORMANCE PRODUCTS, INC
80 CARTER DR . GUILFORD, CT 06437-2116
Phone: (203) 453-6571 Fax: (203) 453-6906

DRIVER'S SIDE



PASSENGER SIDE

