



MOROSO POWER STEERING MOUNT KIT

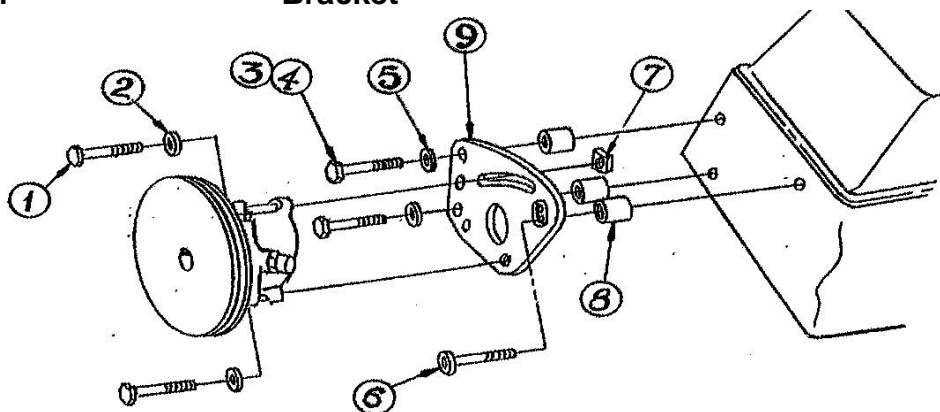
P/N 63897

INSTALLATION INSTRUCTIONS

1. This kit is designed to mount a late model small style GM power steering pump (with remote reservoir) or Sweet Manufacturing type pumps to the driver's side cylinder head on either 18° or 23° heads.
2. Use Moroso power steering pulley, P/N 64860, and a 36° x 1/2" wide V-belt. Gates P/N 7345 or equivalent.
3. NOTE: It may be necessary to modify hardware and spacers supplied with this kit to achieve proper V-belt alignment.

PARTS LIST:

<u>QTY</u>	<u>DESCRIPTION</u>
2	5/16-18 X 2 1/2 Bolts
2	.344 I.D. Flat Washers
2	3/8-16 X 1.75 Bolts
2	3/8-16 X 3.25 Bolts
2	.406 I.D. Flat Washers
1	3/8-16 Flat Head Cap Screw
1	5/16-18 Square Nut
3	Spacers
1	Bracket



**For Technical Assistance, Call Moroso's Tech Line at
(203) 458-0542, 458-0546 8:30am – 5:00pm Eastern Time**

MOROSO PERFORMANCE PRODUCTS, INC
80 CARTER DR • GUILFORD, CT 06437-2116
Phone: (203) 453-6571 • Fax: (203) 453-6906

Rev. B
080614

63897INST

Visit Us At www.moroso.com