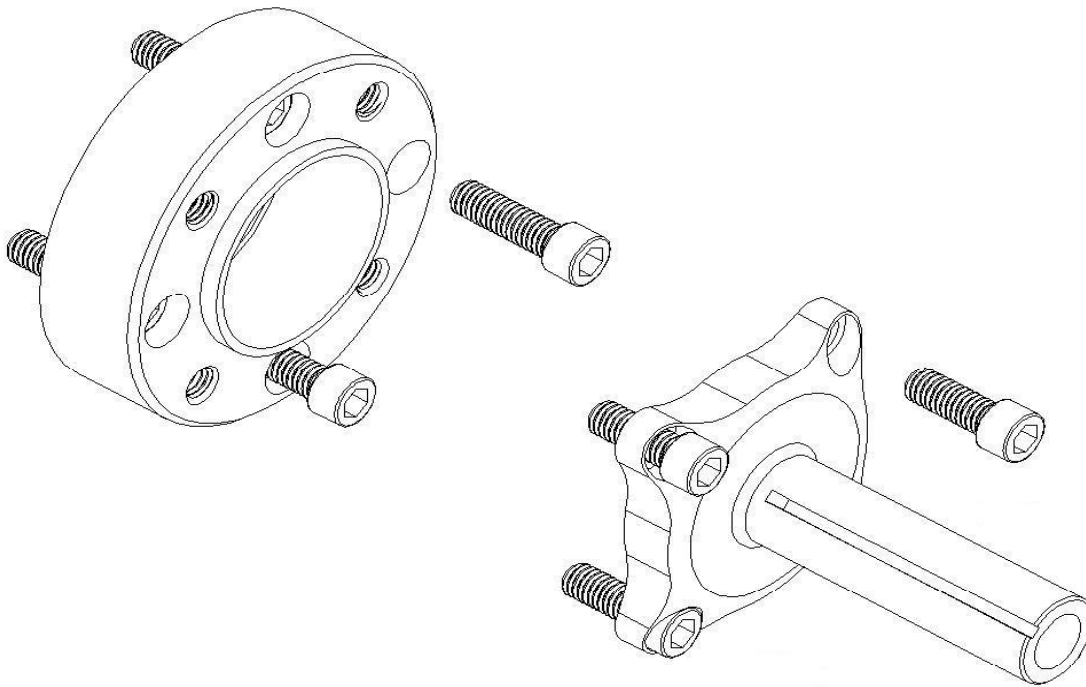




## INSTALLATION INSTRUCTIONS 63847 FORD BIG BLOCK DRIVE KIT

### PARTS LIST

Drive Mandrel ..... (1)	.125 x 3.00 Square Key.....(1)	3/8-16 X 1.000 Socket Cap Screws.....(4)
Drive Pulley-cog tooth...(1)	1/2-20 X 3.25 Hex Head Cap Screw (1)	3/8-16 X 1.250 Socket Cap Screws.....(4)
Pulley, V-Belt 2 1/2"..... (1)	Washer, stepped steel.....(1)	Hub, Aluminum .....(1)
Pulley, V-Belt 4".....(1)	Belt Guides, .062".....(2)	Spacers .250"..... (4)



Assemble components to the engines harmonic balancer as shown in the illustration above. Use 1.250 long cap screws to fasten the aluminum hub to the balancer. Use 1.000 long cap screws to fasten the steel mandrel to the hub. Pulleys and spacers can then be arranged to align with your individual accessories.

**For Technical Assistance, Call Moroso's Tech Line at  
(203) 458-0542, 458-0546 8:30am – 5:00pm Eastern Time**

MOROSO PERFORMANCE PRODUCTS, INC  
80 CARTER DR • GUILFORD, CT 06437-2116  
Phone: (203) 453-6571 • Fax: (203) 453-6906