



**ALT. MOUNT. BILLET ALUMINUM, FOR SBC WITH
CSR ELECTRIC WATER PUMP
PART NUMBER 63828**

PARTS LIST

- | | |
|-----------------------------------|-----------------------------------|
| (1) ALTERNATOR MOUNTING PLATE | (2) RIGHT ALUMINUM STANDOFFS |
| (1) ALUM. TURNBUCKLE | (1) 3/8" ROD END |
| (1) 3/8" JAM NUT | (1) 3/8" ROD END LEFT HAND THREAD |
| (1) 3/8" JAM NUT LEFT HAND THREAD | (4) 3/8" X 5-1/4" SHCS |
| (4) 3/8" X 5-1/2" SHCS | (1) 3/8" X 1-1/4" SHCS |
| (1) 3/8" X 1-3/4" | (1) 8MM X 1-1/4" SHCS |
| (3) 3/8 WASHER | (3) 3/8 LOCKNUT |
| (1) 5/16 WASHER | (1) LEFT ALUMINUM STANDOFFS |

Note: This kit is designed to mount a 93MM Nipondenso style, mini alternator on a Small Block Chevrolet using a CSR Electric Water Pump.

Note : The alternator can be mounted on either side of engine by rotating the Mounting Plate 180 degrees.

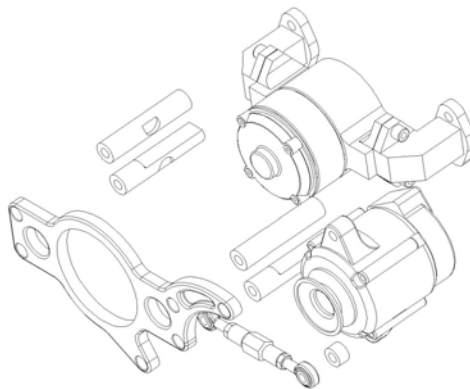
Note: A 3/8" and a 8MM bolt are included for the adjustment lug on the alternator. In order to use the 3/8" stud, the alt. must be drilled and tapped. Ensure that aluminum scrap does not drop into the alternator housing.

Installation

There are (2) sets of bolts included in this kit one is 5-1/4" long the other is 5-1/2" long. Use the 5-1/2" long bolts when you are also using a front motor plate.

Test fit the assembly before tightening all bolts.

Note: Be sure that the bolts do not bottom out. Which would make it impossible to tighten them. Should this occur these bolts would need to be shortened, slightly. Possibly as much as 1/8".



For Technical Assistance, Call Moroso's Tech Line at

(203) 458-0542, 458-0546 8:30am – 5:00pm Eastern Time

MOROSO PERFORMANCE PRODUCTS, INC
80 CARTER DR • GUILFORD, CT 06437-2116

Phone: (203) 453-6571 • Fax: (203) 453-6906