

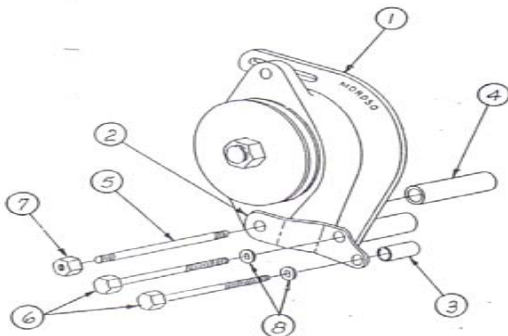


## INSTRUCTIONS FOR P/N 63825 DRAG RACE ALTERNATOR BRACKET KIT FOR BBC

1. This kit is designed to mount any GM Delcotron Alternator on the right side of a Chevy or 90 V-6 Chevy with a short water pump.
2. This kit is for use with Moroso Alternator Pulley No. 64800, Water Pump Pulley No. 64900.
3. **IMPORTANT – If Moroso water pump and pulleys are not used, it may be necessary to change or modify hardware and spacers supplied with this kit to achieve proper V-belt alignment.**

The boss on back of alternator may have to be machined and corresponding spacer may have to be machined to get proper V-belt alignment depending on the type of cylinder heads.

4. It is recommended that Loctite is used on bolt threads.



### PARTS LIST

- |                                |                           |
|--------------------------------|---------------------------|
| 1. Alternator Bracket – Top    | 5. Alternator Stud        |
| 2. Alternator Bracket – Bottom | 6. 3/8 – 16 x 4 Bolt      |
| 3. Spacer 1 1/8 x 9/16 O.D.    | 7. 3/8 x 24 ESNA Locknut  |
| 4. Spacer 2 3/4 x 7/8 O.D.     | 8. 3/8 – Med Split Washer |

**For Technical Assistance, Call Moroso's Tech Line at  
(203) 458-0542, 458-0546 8:30am – 5:00pm Eastern Time**

MOROSO PERFORMANCE PRODUCTS, INC  
80 CARTER DR • GUILFORD, CT 06437  
Phone: (203) 453-6571 • Fax: (203) 453-6906