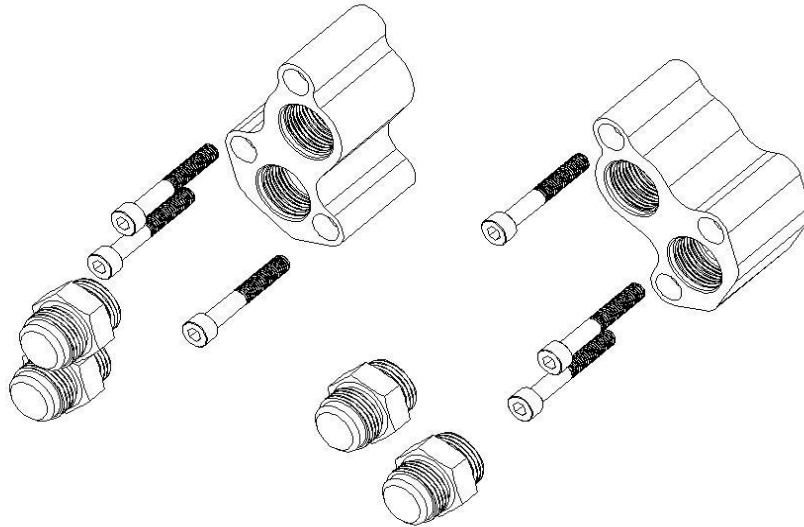




63616 LS REMOTE WATER PUMP ADAPTERS



Moroso's 63616 water pump adapters can be used in any street, racing, or marine application where a remotely mounted water pump is used to cool an LS engine. Assemble the components of the kit as shown in the illustration above. RTV silicone or GM factory water pump gaskets can be used between the adapters and the engine block. Use -12AN hose to plumb your system. Below is a list of Moroso parts that can be combined to make a custom installation.

RECOMMENDED MOROSO ACCESSORIES

- | | |
|--|---|
| 63860 - LS-1 DRIVE MANDREL KIT | 63440 - WATER RESTRICTOR KIT |
| 63570 - REMOTE MOUNT ELECTRIC WATER PUMP | 63460 - FILLER NECK -16 AN |
| 63542 - 1" NPT to 1 1/2" HOSE ADAPTER | 63461 - AN FILLER NECK, -16AN WITH 3/8NPT PORTS |
| 63543 - 1" NPT to 1 3/4" HOSE ADAPTER | 63420 - MANIFOLD FILLER NECK KIT |
| 63544 - 1" NPT to 1 1/4" HOSE ADAPTER | 63421 - BILLET FILLER NECK |
| 63425 - REMOTE THERMOSTAT HOUSING | 63430 - WATER NECK BLEEDER KIT |
| 63426 - REMOTE THERMOSTAT HOUSING | 63471 - WATER NECK BLOCK-OFF PLATE |
| 63541 - 1" NPT to -16AN HOSE ADAPTER | 63760 - THERMOSTATIC WATER PUMP SWITCH |
| 63657 - RADIATOR OVERFLOW TANK | 63656 - COOLING SYSTEM EXPANSION TANK |

**For Technical Assistance, Call Moroso's Tech Line at
(203) 458-0542, 458-0546 8:30am - 5:00pm Eastern Time**

MOROSO PERFORMANCE PRODUCTS, INC
80 CARTER DR • GUILFORD, CT 06437-2116
Phone: (203) 453-6571 • Fax: (203) 453-6906