



REMOTE ELECTRIC WATER PUMP P/N 63570

This Remote Water Pump is designed to take the place of an engine mounted water pump. In most applications, adapters will be required to connect (generally) the two -12AN water pump outlet ports to the engine block inlets. The pump is designed to flow fluid from either the top or bottom ports, or from one top and one bottom at opposite ends in each case. The Inlet Port is a -16AN located in the center of the pump and opposite the electric motor. There are many variations of hose fittings and AN fittings to choose from. See Page 3 for illustrations.

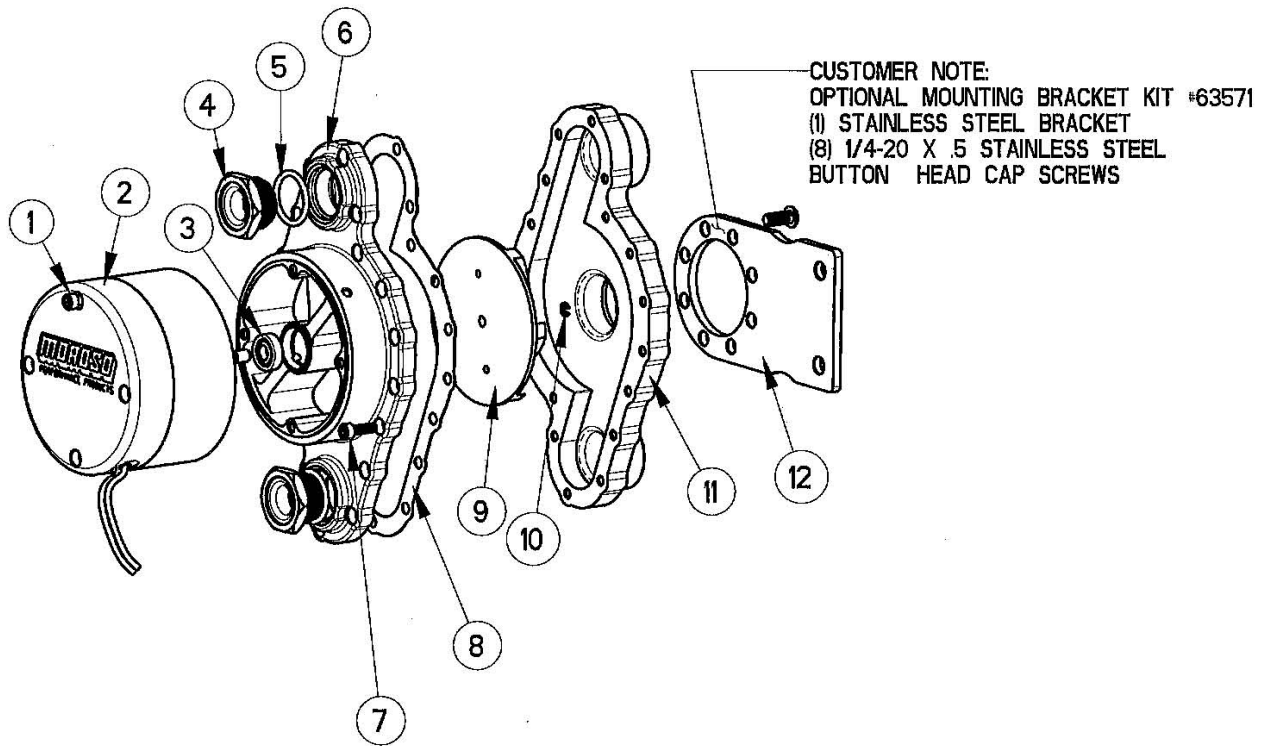
The water pump can be mounted in vertical or horizontal positions. For example, some racers will mount the pump horizontal to their motor plates.

Moroso offers an optional Mounting Bracket Kit P/N 63571 (see illustration enclosed) for easier installation and is obtainable through your local retailer.

CAUTION: Seal failure will occur if pump is operated without water or coolant in the system or the pump.

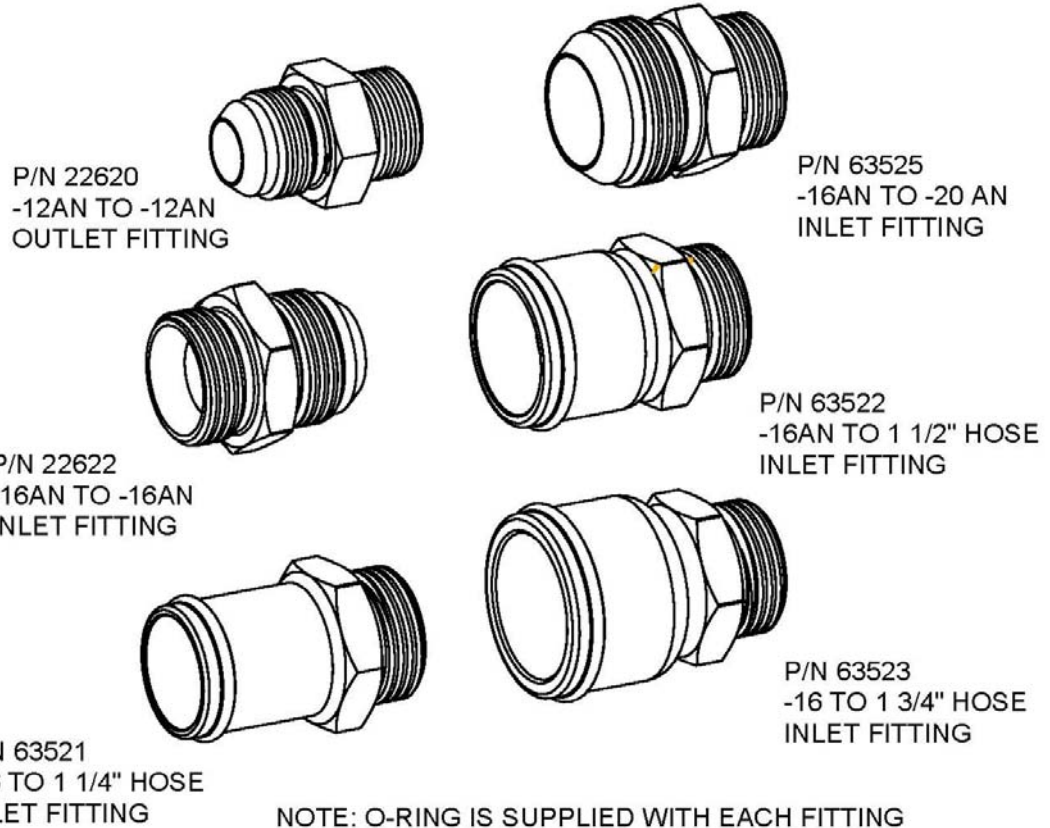
INSTRUCTIONS:

1. The Water Pump will work best if mounted lower than the top of the radiator.
2. Before running the pump, fill the system with fluid.
3. Air must be removed (purging) from the pump prior to starting.
If the pump is above the radiator fluid level, lower the pump below the fluid level leaving all connections in place.
4. Do **not** start your engine or the water pump motor.
5. Tilt the water pump so one of the -12AN port plugs is elevated higher than the other end. Loosen the elevated port plug to let the air escape. When a steady flow of fluid comes out of the port, retighten the plug and then move back to the mounting position. Normally this is a one-time procedure unless the system is flushed or drained of all fluid.
6. **Wiring:** Incorrect wiring will damage the water pump motor and your engine. The **RED** wire is positive and should be connected to a 12 or 16 Volt, 20 Amp fused source. The **BLACK** wire is negative and should be connected to a suitable ground such as the engine or chassis.



OPTIONAL KIT	12	63571	1	MTG BKT KIT
	11	63570260	1	INLET PLATE
	10	63765107	1	E-CIRCLIP
	9	63575500	1	IMPELLER 6 VANE
	8	63570270	1	GASKET
	7	0503043	18	10-24 X .5 SHCS
	6	63570250	1	MOTOR PLATE
	5	23850130	2	O-RING
	4	21547083	2	12-AN PLUG
	3	63540130	1	WTR PUMP SEAL
	2	63564751	1	MOTOR ASSEMBLY
	1	63565815	4	10-24 X 2.62 SHCS
DETAIL		P/N	QTY	DESCRIPTION

UUUUUUUUUWater Pump Fittings Are Available From Your Moroso Retailer:



SHOULD YOUR PUMP NEED REPAIRS OR REBUILDING PLEASE CONTACT OUR TECHNICAL ASSISTANCE LINE AT THE BOTTOM OF THE FOLLOWING PAGE:

OPTIONAL: Bolt on remote water pump adapters

Note: All adapters require (2) #12AN port fittings. Moroso offers a straight #12AN to #12AN fitting P/N 22620.

These adapters come with gaskets and hardware to bolt up to your engine. The SBC (63512), BBC (63513) come with an extra set of longer cap screws and gaskets to accommodate the use of a motor plate.



Small Block Chevy P/N 63512



Small Block Chrysler P/N 63514



Big Block Chevy P/N 63513



Small Block Ford Standard Rotation P/N 63515



Big Block Ford P/N 63516

**For Technical Assistance, Call Moroso's Tech Line at
(203) 458-0542, 458-0546 8:30am – 5:00pm Eastern Time**

MOROSO PERFORMANCE PRODUCTS, INC
80 CARTER DR • GUILFORD, CT 06437-2116
Phone: (203) 453-6571 • Fax: (203) 453-6906