



P/N 41200 AUTOMATIC TRANSMISSION OIL COOLER / FILTER
P/N 41205 AUTOMATIC TRANSMISSION OIL COOLER / FILTER - HEAVY DUTY

INSTALLATION INSTRUCTIONS

1. Cooler/Filter is ideal for dragsters and can be mounted directly over the transmission where it can be exposed to maximum airflow, to aid in cooling.
2. For Door Cars: the Cooler/Filter should be mounted to a secure protected location with adequate airflow, such as the Subframe, floorboard, etc. Finding a location large enough to accommodate the cooler and allow the (coolest) possible air to pass around the cooler is imperative.
3. The Trans Cooler/Filter should be spliced "inline" with the return line to the transmission. Check with your transmission manufacturer or shop manual to determine which line is the return. Part# 41200 uses – 6AN fittings and will need suitable lines to connect to these fittings.
4. Use the four mounting holes in the cooler brackets and suitable hardware to mount the unit.

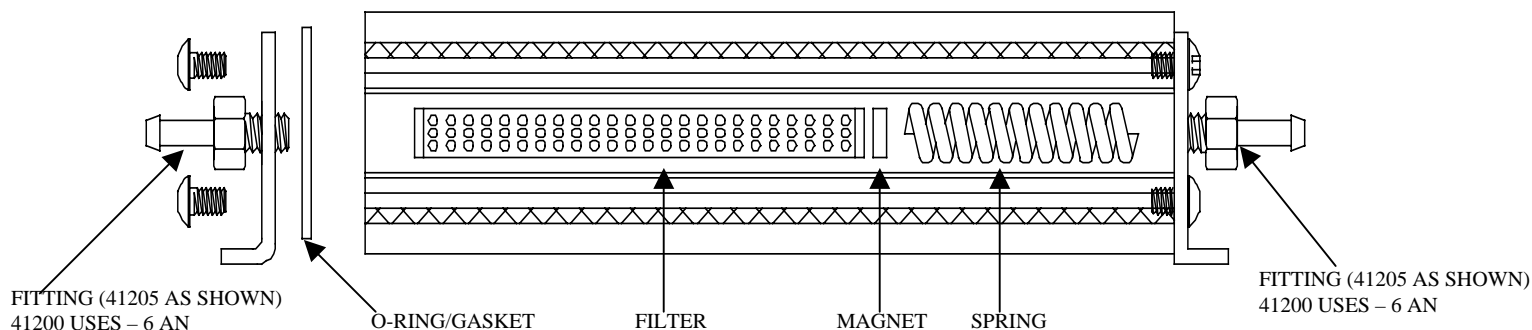
INSTRUCTIONS FOR REPLACING FILTER CARTRIDGE PART# 97291

DISASSEMBLY

1. REMOVE SCREWS ON THE MOUNTING PLATE LABELED INLET.
2. DISCARD THE GASKET AND REMOVE THE FILTER, MAGNET AND SPRING.
3. DISCARD THE FILTER AFTER INSPECTING IT FOR PARTICLES AND DEBRIS.
4. BE SURE CYLINDER IS CLEAN BEFORE ASSEMBLY. RINSE THOROUGHLY WITH SOLVENT.

ASSEMBLY

1. INSTALL SPRING INTO CYLINDER.
2. INSTALL FILTER WITH THE MAGNET ATTACHED TO THE CLOSED END. MAGNET END GOES INTO THE CYLINDER FIRST. THE OPEN END OF THE FILTER SHOULD BE FACING OUT. (See Fig. 1)
3. MOUNT O-RING/GASKET OVER HOUSING END. DO NOT USE ANY TYPE OF SEALER ON THE O-RING/GASKET. USE OF SEALER WILL VOID WARRANTY.
4. INSTALL MOUNTING BRACKET.
5. TIGHTEN THE FOUR SCREWS IN A CRISSCROSS PATTERN TO **EVENLY** COMPRESS THE O-RING/GASKET 50%. USE A BOX OR SOCKET WRENCH AND DO NOT OVERTIGHTEN AS THE END PLATE WILL WARP AND LEAK.



*P/N 97290 REPLACEMENT FILTER FOR P/N 41200
P/N 97291 REPLACEMENT FILTER FOR P/N 41205*

**For Technical Assistance, Call Moroso's Tech Line at
(203) 458-0542, 458-0546 8:30am – 5:00pm Eastern Time**

MOROSO PERFORMANCE
80 Carter Drive • Gullford, CT 06437-2116
Phone: (203) 453-6571 • Fax: (203) 453-6906

Visit Us At www.moroso.com