



OIL PUMP PICKUP P/N 24530

REQUIREMENTS:

1. Use Melling Pump M84AHV or equivalent.
2. Optional: Use Main Cap Stud Ford P/N M-6345-A or Moroso's P/N 38195 with a head thickness of .540" as illustrated below.

Refer to a service manual for complete pickup removal/installation procedure.
Make sure the pickup is cleaned thoroughly before installation.

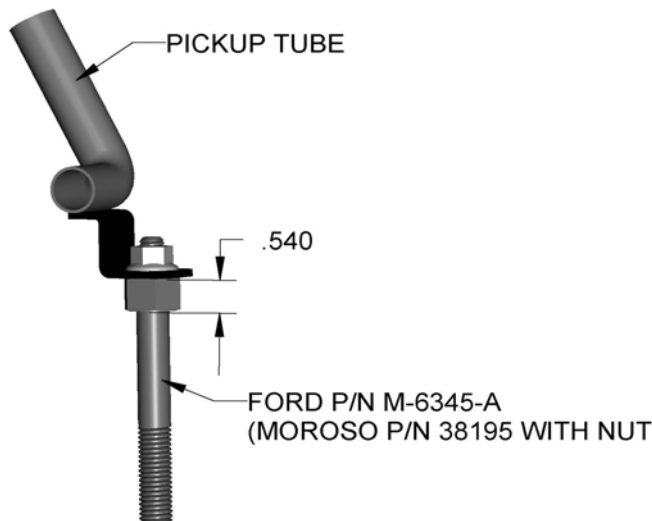
NOTE: This pickup is designed to be used with the Ford or Moroso stud because it is readily available where as the OEM 351C engine stud has been discontinued. If you have and want to use the OEM 351C (ref. head thickness .350") stud you will need to shim between the bolt head and under the pickup bracket .190" to achieve the proper pickup height off the bottom of the oil pan.

Pre-determine which main cap bolt will be used with the special pickup stud and replace if necessary with one of the studs offered. Torque the stud to Ford's specifications.

With the oil pump removed, use a pipe sealant on the pickup threads (do not use a tape because it could become lodged in the oiling system) and thread it into the pump firmly. Place the assembly in place with the oil pump screws. Determine if the pickup bracket is satisfactory or it may need one more full turn into the pump. (The bracket is made with an oversized hole for some adjustment). Upon satisfaction, secure the oil pump screws and tighten the 3/8" flanged nut supplied with the Moroso Stud.

To check the proper pickup height, put clay or putty on the four corners of the pickup screen. Place the oil pan on the engine without gaskets and secure tightly. Remove the oil pan and measure the height of the crushed clay or putty. A clearance of 1/4" to 3/8" is recommended.

CAUTION: Watch for some pans with stiffening ribs that the clay/putty did not go into the groove and give a false measurement reading.



**For Technical Assistance, Call Moroso's Tech Line at
(203) 458-0542, 458-0546 8:30am – 5:00pm Eastern Time**

MOROSO PERFORMANCE PRODUCTS, INC
80 CARTER DR • GUILFORD, CT 06437-2116
Phone: (203) 453-6571 • Fax: (203) 453-6906