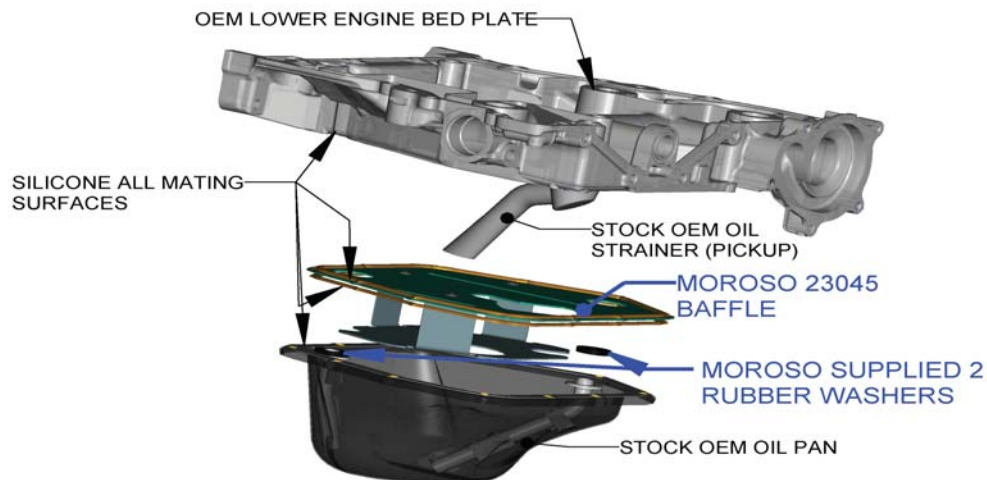




## SUBARU ENGINE OIL PAN BAFFLE P/N 23045

### Basic Installation Instructions

- 1) Remove factory oil pan following factory recommended procedure.
- 2) Remove all pre-existing silicone from lower engine plate and oil pan flange.
- 3) Clean entire oil pan and mating surface of engine plate then dry.
- 4) Remove both drain-back tube rubber flange washers and replace with the two(2) Moroso supplied pieces.
- 5) Apply a bead of quality high temp silicone sealant to all mating flange surfaces. The four surfaces are top and bottom of baffle, bed plate, and oil pan. Smooth the beads of sealant flat with a putty knife or similar tool achieving a layered thickness of approx. 1/16".
- 6) Allow sealant to semi cure for 10-15 min. prior to re-attaching. This step will prevent sealant from squeezing away from mating surfaces while re-installing.



For Technical Assistance, call Moroso's Tech Line  
(203)-458-0542, 8:30am-5:00pm Eastern Time  
MOROSO PERFORMANCE PRODUCTS, INC.

80 CARTER DRIVE  
GUILFORD, CT 06437

[www.moroso.com](http://www.moroso.com)