



DRY SUMP OIL PUMP PART 22253
3 STAGE .875 PRESS. SECTION & DOOR CAR BRACKET

Parts List

P/N	DESCRIPTION	QTY
1 22521150	SCAVENGE SECTION W/DOOR CAR BRACKET 1.100"	1
2 22520120	PRESSURE BY-PASS SECTION	1
3 22520500	FRONT SECTION	1
4 22742	-12AN MALE FITTING / OPTIONAL P/N 22741 -10AN MALE	1
5 22743	-16AN MALE FITTING / OPTIONAL P/N 22742 -12AN MALE	1
6 22520135	12 PORT PLUG	1
7 22167050	BY-PASSPLUG FITTING	1
8 22500235	.875" SCROLL	1
9 22520175	.875" PRESSURE ROTOR	1
10 22520395	FRONT SEAL CAP	1
11 22500440	LIP SEAL	1
12 22521160	SHAFT	1
13 22500340	WOODRUFF KEY	3
14 22520190	1/4-28 X 3" SHCS	3
15 0804019	.26 X.5 CONICAL WASHER	3
16 22520161	SPIRAL RETAINING RING	2
17 22167070	BY-PASS VALVE	1
18 22167035	BY-PASS SPRING	1
19 22167060	BY-PASS SPRING RETAINER	1
20 0704002	1/4-28 LOCK NUT	1
21 22167039	1/4-28 X 1" PRESSURE ADJUSTER	1
22 0501041	8-32 X .5" RETAINING SCREW	20
23 0801002	.181 X .303 WASHER	24
24 0501041	8-32 X .375" RETAINING SCREW	4
25 0592001	8-32 X .250 BUTTON HEAD RETAINING SCREW	3
26 22500320	.375 I.D. MOUNTING BUSHING	1
27 22500330	.437 I.D. MOUNTING BUSHING	1
28 63493004	SEALING WASHER	1
29 22167016	.644 I.D. X .080 THK. O-RING	1
30 22520050	.676 I.D. X .070 THK. O-RING	5
31 22520060	3.489 I.D. X .070 THK. O-RING	5
32 22500240	BEARING	4
33 22500370	1/4-28 X .500" HELI-COIL	3
34 38350130	1/4-28 WASHER FACE LOCK NUT	3
35 22520171	1.100" ROTOR	2
36 22500501	SEAL	2
37 22521110	1.100" SCAVENGE SECTION	1
38 22521125	.875" PRESSURE SECTION	1
39 22521140	BULK HEAD	1
40 22560146	1.100" SCROLL	2
41 22520055	.926 I.D. X .070 THK. O-RING	1

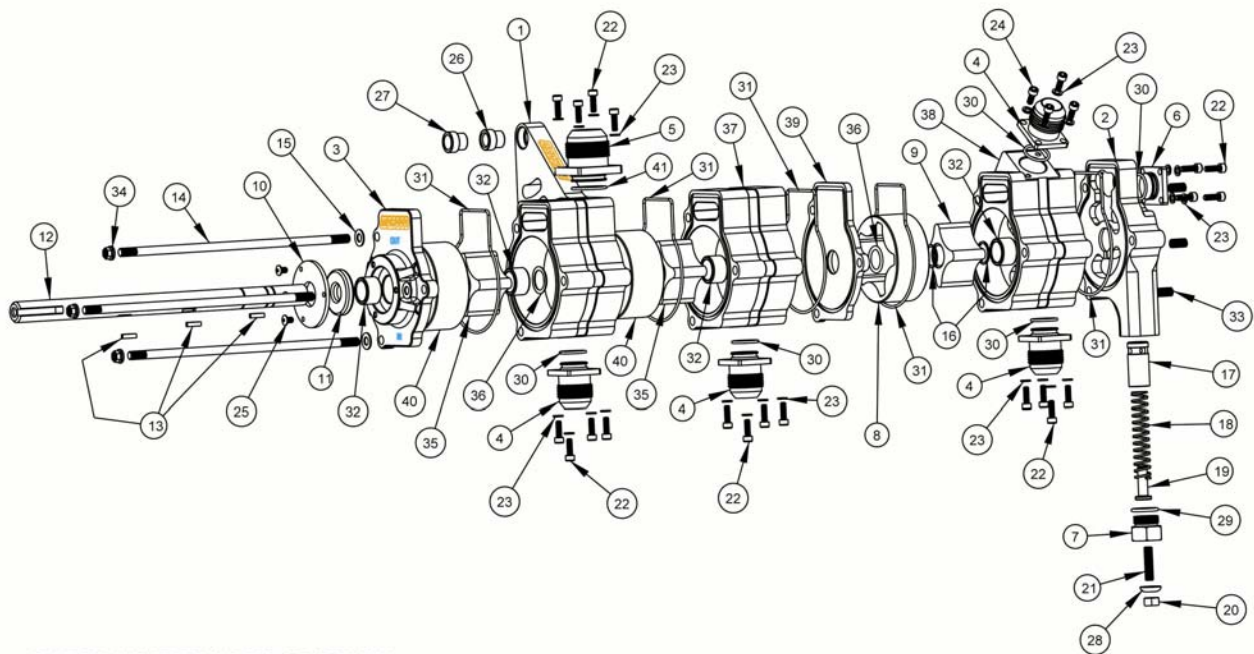
**For Technical Assistance, Call Moroso's Tech Line at
(203) 458-0542, 458-0546 8:30am – 5:00pm Eastern Time**

MOROSO PERFORMANCE PRODUCTS, INC
80 CARTER DR • GUILFORD, CT 06437-2116
Phone: (203) 453-6571 • Fax: (203) 453-6906

Rev. B
071212

Visit Us At www.moroso.com

22253INST



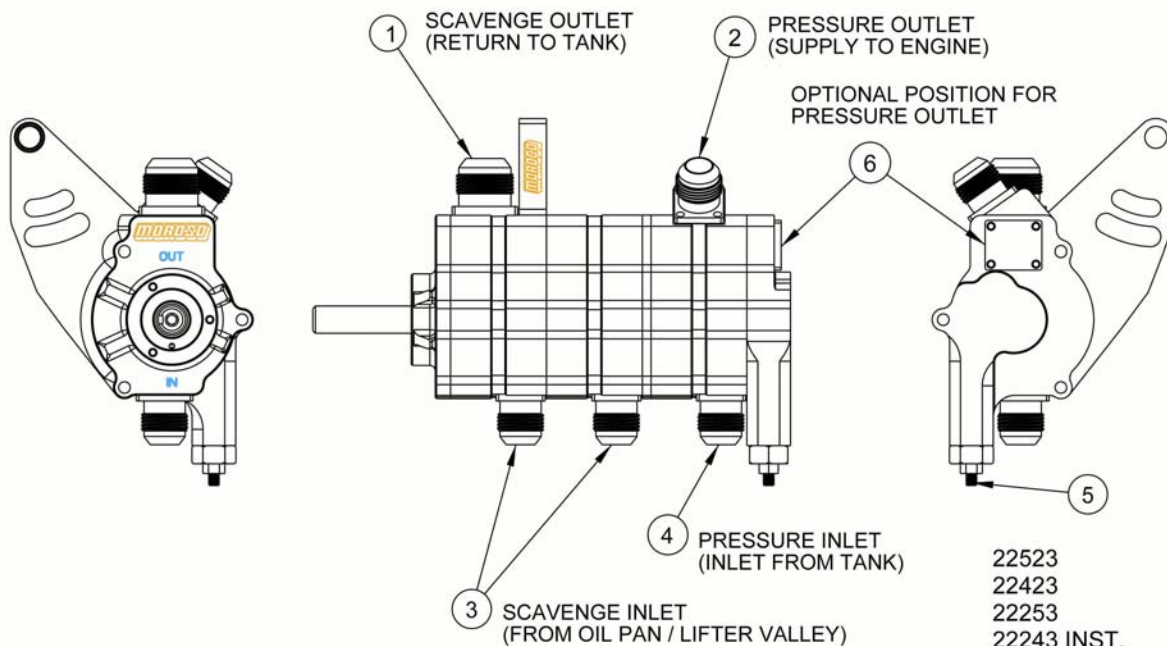
PART NUMBER / DESCRIPTION

22523 .875" PRESSURE SECTION W/DKAGSTER BRACKET
 22423 1.100" PRESSURE SECTION W/DKAGSTER BRACKET
 22253 .875" PRESSURE SECTION W/DOOR CAR BRACKET
 22243 1.100" PRESSURE SECTION W/DOOR CAR BRACKET

22523
 22423
 22253
 22243 INST.
 SHEET 2 OF 3

RFV A

- 1) #16 AN SCAVENGE OUTLET / REPLACEMENT PART # 22743
- 2) #12 AN PRESSURE OUTLET / REPLACE MENT PRT# 22742 / OPTIONAL #10 AN PRT# 22741
- 3) #12 AN SCAVENGE INLETS / REPLACEMENT PART # 22742
- 4) #12 AN PRESSURE INLET / REPLACEMENT PART # 22742
- 5) PRESSURE ADJUSTER
- 6) OPTIONAL POSITION FOR PRESSURE OUTLET



22523
 22423
 22253
 22243 INST.
 SHEET 3 OF 3

REV. A